

Please write clearly in block capitals.

Centre number

--	--	--	--	--

Candidate number

--	--	--	--

Surname

---

Forename(s)

---

Candidate signature

---

# GCSE MATHEMATICS

# F

Foundation Tier      Paper 1 Non-Calculator

Tuesday 21 May 2019

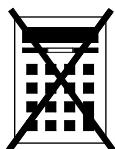
Morning

Time allowed: 1 hour 30 minutes

## Materials

For this paper you must have:

- mathematical instruments



You must **not** use a calculator.

## Instructions

- Use black ink or black ball-point pen. Draw diagrams in pencil.
- Fill in the boxes at the top of this page.
- Answer **all** questions.
- You must answer the questions in the spaces provided. Do not write outside the box around each page or on blank pages.
- Do all rough work in this book. Cross through any work you do not want to be marked.

## Information

- The marks for questions are shown in brackets.
- The maximum mark for this paper is 80.
- You may ask for more answer paper, graph paper and tracing paper. These must be tagged securely to this answer book.

For Examiner's Use	
Pages	Mark
2–3	
4–5	
6–7	
8–9	
10–11	
12–13	
14–15	
16–17	
18–19	
20–21	
22–23	
24–25	
26	
<b>TOTAL</b>	

## Advice

In all calculations, show clearly how you work out your answer.



Answer **all** questions in the spaces provided

- 1** Which type of angle is the largest?  
Circle your answer.

**[1 mark]**

right

reflex

obtuse

acute

- 2** Solve  $4x = 8$   
Circle your answer.

**[1 mark]** $x = 0.5$  $x = 2$  $x = 4$  $x = 32$ 

- 3** Work out  $10 + (-4)$   
Circle your answer.

**[1 mark]**

-14

-6

6

14



4 Circle the calculation which works out half of 12

[1 mark]

$12 \div 0.5$

$2 \div 12$

$12 \times \frac{1}{2}$

$12 \div 50 \times 100$

5 (a) Work out  $364.5 + 17.9 - 2.08$

[2 marks]

---

---

---

---

---

---

---

---

Answer \_\_\_\_\_

5 (b) Work out  $9.36 \times 2$

[1 mark]

---

---

---

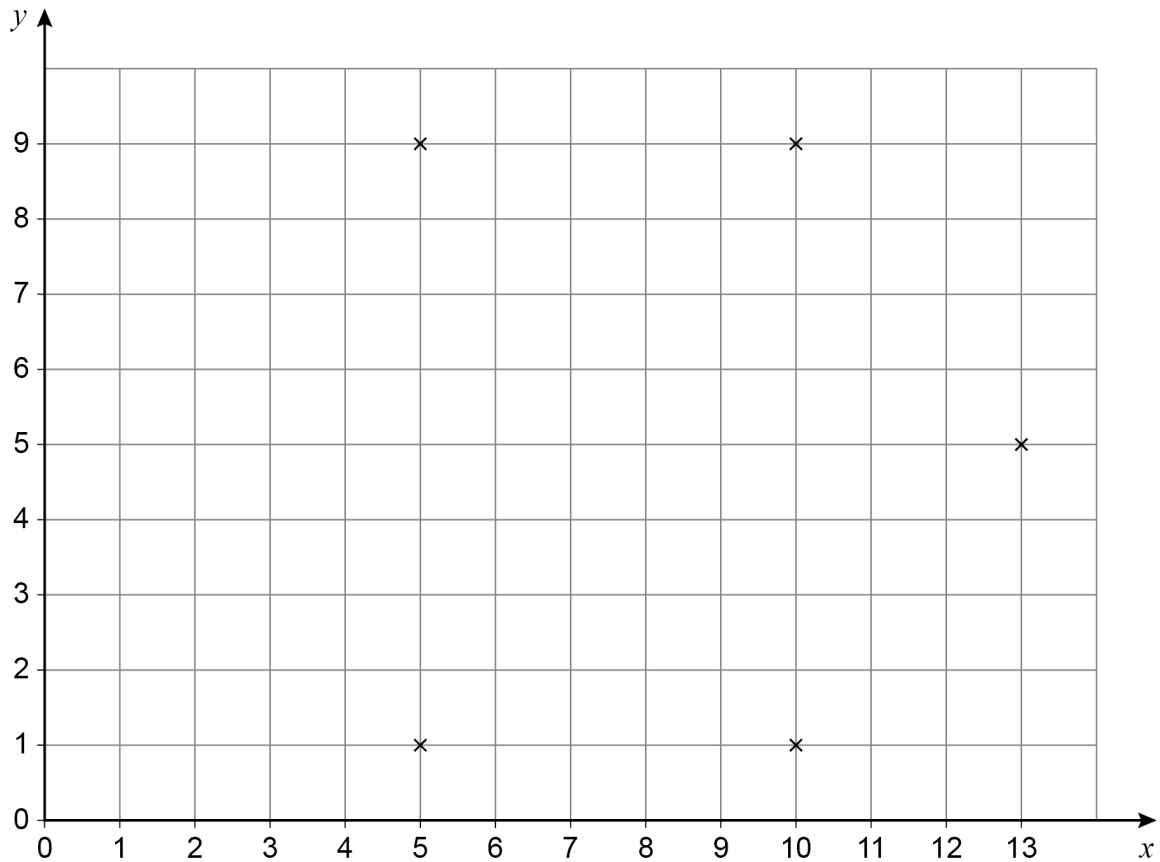
Answer \_\_\_\_\_

7

Turn over ►



- 6 Five points are plotted on a centimetre grid.



The points are five of the vertices of a hexagon.

Each side of the hexagon has the same length.

Work out **one** possible pair of coordinates of the other vertex.

**[2 marks]**

---



---



---

Answer ( \_\_\_\_\_ , \_\_\_\_\_ )



- 7** Amy and Brad each have some money.  
Carly has no money.  
Amy gives £7 to Carly.  
Brad gives £5 to Carly.  
Now they all have the same amount of money.  
How much money did Amy have to begin with?

**[2 marks]**

---

---

---

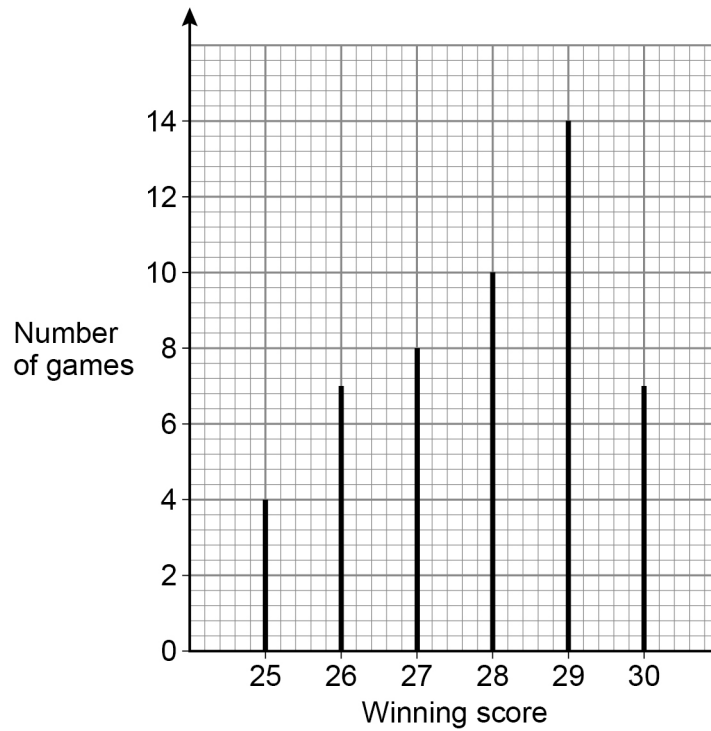
---

---

Answer £ \_\_\_\_\_

**Turn over for the next question**

- 8 A game is played 50 times.  
The vertical line chart shows the winning scores.



- 8 (a) Write down the mode.

[1 mark]

Answer \_\_\_\_\_



The game is played again.

- 8 (b) Use the chart to estimate the probability that the winning score is 25

[1 mark]

Answer \_\_\_\_\_

- 8 (c) Use the chart to estimate the probability that the winning score is 27 or more.

[2 marks]

---

---

---

Answer \_\_\_\_\_

- 9 (a) Write down **all** the factors of 18

[2 marks]

Answer \_\_\_\_\_

- 9 (b) Work out the lowest common multiple (LCM) of 12 and 15

[2 marks]

---

---

---

Answer \_\_\_\_\_



**10** Coaches take people to a festival.  
Each coach can take 50 people.

**10 (a)** From one city there are 820 people.  
How many coaches are needed?

**[3 marks]**

---

---

---

---

---

---

---

---

Answer \_\_\_\_\_



- 10 (b)** From a different city 13 coaches are needed.  
Each coach costs £450 to hire.  
Work out the total cost of hiring 13 coaches.

**[3 marks]**

---

---

---

---

---

---

---

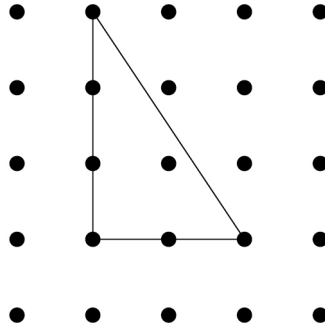
---

Answer £ \_\_\_\_\_

**Turn over for the next question**

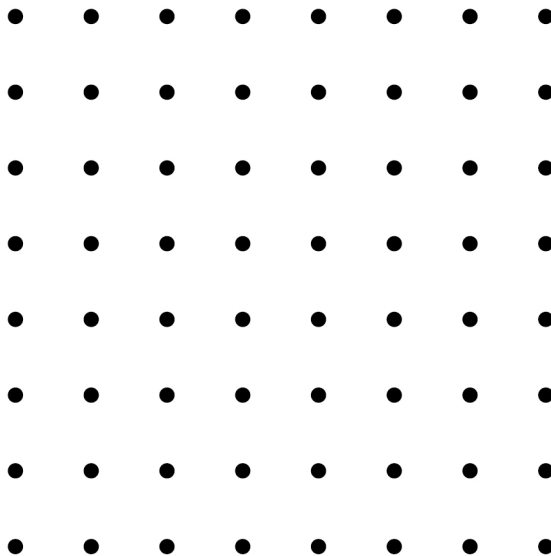


- 11 Here is a triangle on a square dotted grid.



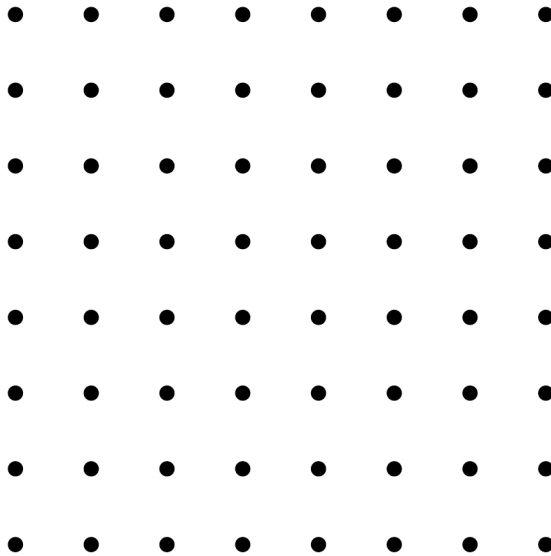
- 11 (a) On the grid below, show how you can make a parallelogram with **two** of these triangles.

[1 mark]



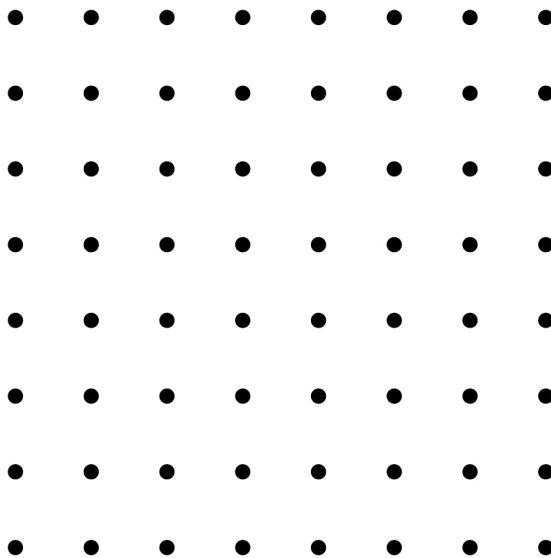
11 (b) On the grid below, show how you can make a trapezium with **three** of these triangles.

[1 mark]



11 (c) On the grid below, show how you can make a rhombus with **four** of these triangles.

[1 mark]



**12** Work out 65% of 300

**[3 marks]**

---

---

---

---

---

---

---

Answer \_\_\_\_\_

**13** In a game the average score was 50

Tom's score was  $\frac{5}{2}$  of the average.

Circle Tom's score.

**[1 mark]**

125

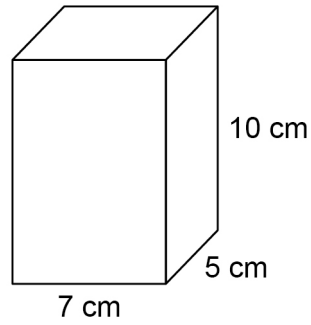
175

30

20



- 14 Here is a cuboid.



Work out the volume.

[2 marks]

---

---

---

---

---

---

---

Answer \_\_\_\_\_  $\text{cm}^3$

- 15 Circle the shape that has a uniform cross section.

[1 mark]

cone

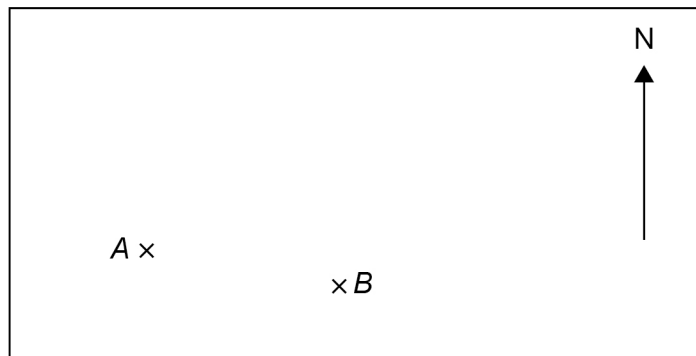
sphere

cylinder

pyramid

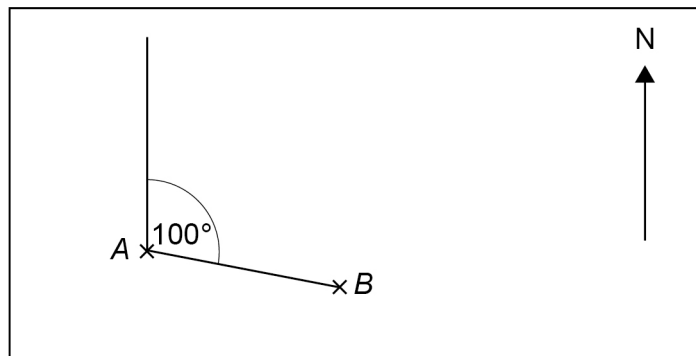


16 (a) Here is a map showing points  $A$  and  $B$ .



Kemal wants to measure the bearing of  $A$  from  $B$ .

He draws two lines and measures the angle between them.



Kemal says that the bearing of  $A$  from  $B$  is  $100^\circ$

Is his method correct?

Give a reason for your answer.

[1 mark]

---



---



---



---



---



**16 (b)** On a different map, the bearing of  $D$  from  $C$  is  $045^\circ$

Nina says,

“ $D$  is North West of  $C$ .”

Is Nina correct?

Give a reason for your answer.

[1 mark]

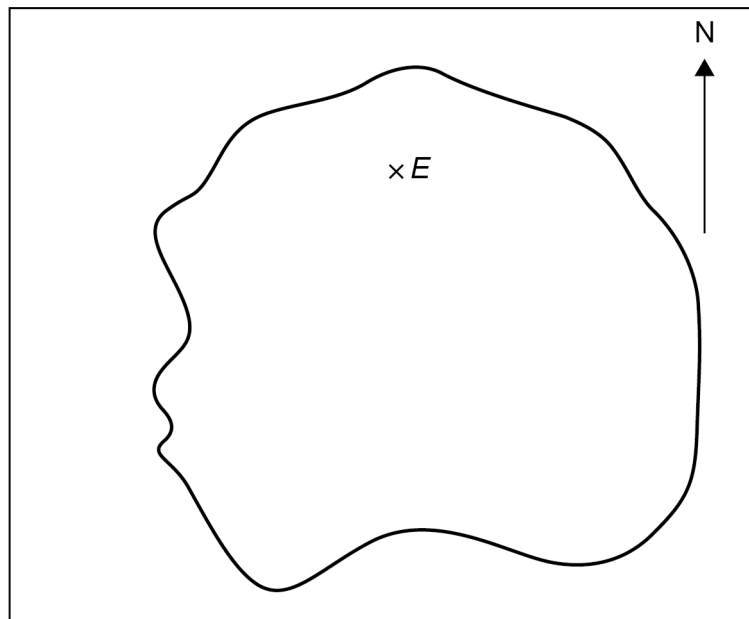
---



---

**16 (c)** This map shows an airport,  $E$ , on an island.

Scale: 1 cm represents 100 km



A plane flies due South from the airport.

How far does it fly until it reaches the sea?

[3 marks]

---

Answer \_\_\_\_\_ km



17 (a) Simplify fully  $56 : 24$

[2 marks]

---

---

---

Answer \_\_\_\_\_ :

17 (b) Write the ratio  $5 : 4$  in the form  $n : 1$

[1 mark]

---

---

---

Answer \_\_\_\_\_ :

17 (c) Share £180 in the ratio  $1 : 9$

[2 marks]

---

---

---

---

---

---

Answer £ \_\_\_\_\_ and £ \_\_\_\_\_



**18** Here is some data about the people listening to a radio station one day.

	Percentage	Mean number of hours listening	Range of number of hours listening
Aged 40 or under	21	1.2	4.5
Aged 41 or over	79	6.3	13.9

Compare the data for people aged 40 or under with the data for people aged 41 or over. Make **three** comparisons.

**[3 marks]**

Comparison 1 \_\_\_\_\_

\_\_\_\_\_

\_\_\_\_\_

Comparison 2 \_\_\_\_\_

\_\_\_\_\_

\_\_\_\_\_

Comparison 3 \_\_\_\_\_

\_\_\_\_\_

\_\_\_\_\_

**Turn over for the next question**



19 You are given that  $4a - 2b = 10$

19 (a) Write down the value of  $2a - b$

[1 mark]

Answer \_\_\_\_\_

19 (b) Write down the value of  $2b - 4a$

[1 mark]

Answer \_\_\_\_\_

19 (c) You are given that  $4a - 2b = 10$  and  $a + c = 3$

Write an expression in  $a$ ,  $b$  and  $c$  that is equal to 23

Give your answer in its simplest form.

You **must** show your working.

[2 marks]

---

---

---

---

---

---

---

Answer \_\_\_\_\_



20 (a) Write 0.00097 in standard form.

[1 mark]

Answer \_\_\_\_\_

20 (b) Work out  $\frac{3 \times 10^5}{4 \times 10^3}$

Give your answer as an ordinary number.

[2 marks]

---

---

---

---

---

---

---

Answer \_\_\_\_\_

Turn over for the next question

7

Turn over ►







- 22** Three friends arrive at a party.  
Their arrival increases the number of people at the party by 20%  
In total, how many people are now at the party? **[2 marks]**

---

---

---

---

---

---

---

---

Answer \_\_\_\_\_



23 Work out the value of  $(3^{12} \div 3^5) \div (3^2 \times 3)$

[3 marks]

---



---



---



---



---



---

Answer \_\_\_\_\_

24 (a)  $a + b = 0$

Which of these is equal to  $b$ ?

Circle your answer.

[1 mark]

0

$\frac{1}{a}$

$a$

$-a$

24 (b)  $c \times d = 1$

Which of these is equal to  $d$ ?

Circle your answer.

[1 mark]

1

$\frac{1}{c}$

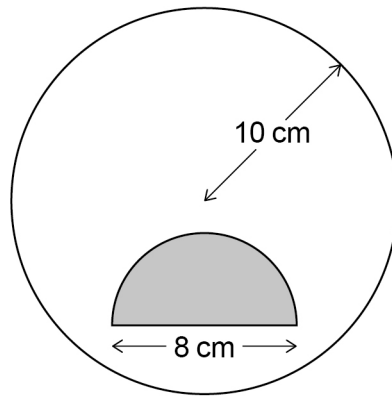
$c$

$-c$



- 25 A shaded semicircle is inside a circle as shown.

Not drawn  
accurately



The **radius** of the circle is 10 cm

The **diameter** of the semicircle is 8 cm

How many times bigger is the unshaded area than the shaded area?

[4 marks]

---

---

---

---

---

---

---

---

---

---

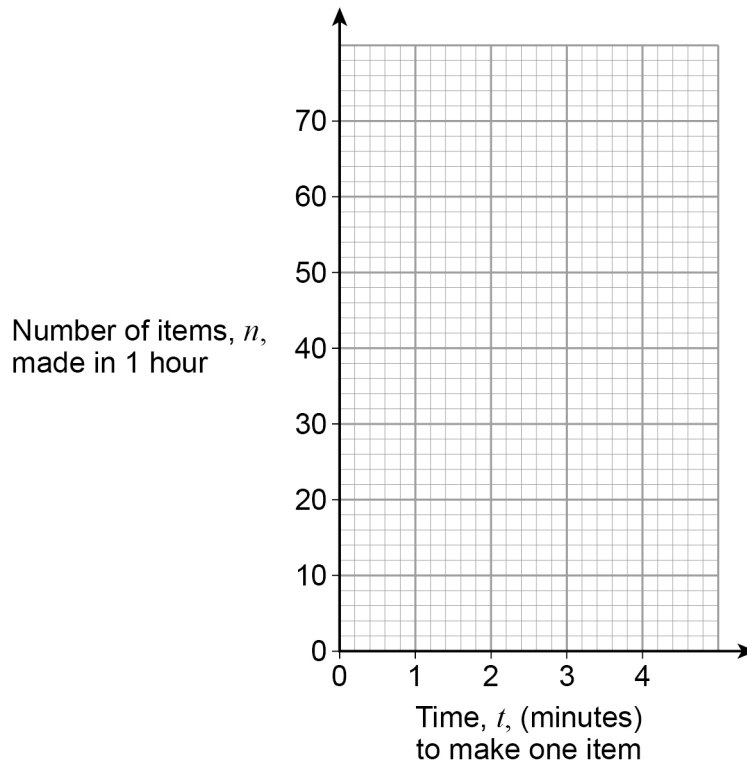
Answer \_\_\_\_\_



- 26** The number of items,  $n$ , made in 1 hour by a machine is given by  $n = \frac{60}{t}$   
 $t$  is the time in minutes the machine takes to make one item.  
 The value of  $t$  changes for different types of item.

- 26 (a)** On the grid below, draw the graph of  $n = \frac{60}{t}$  for values of  $t$  from 1 to 4

[2 marks]



- 26 (b)** The machine takes 3 minutes 30 seconds to make one item.

**Use your graph** to estimate the value of  $n$ .

[2 marks]

Answer \_\_\_\_\_



27 Rearrange  $x = 2y - 6$  to make  $y$  the subject.

[2 marks]

---

---

---

---

---

Answer \_\_\_\_\_

28 Multiply out and simplify  $(x + 5)(x - 1)$

[2 marks]

---

---

---

---

---

Answer \_\_\_\_\_

**END OF QUESTIONS**

